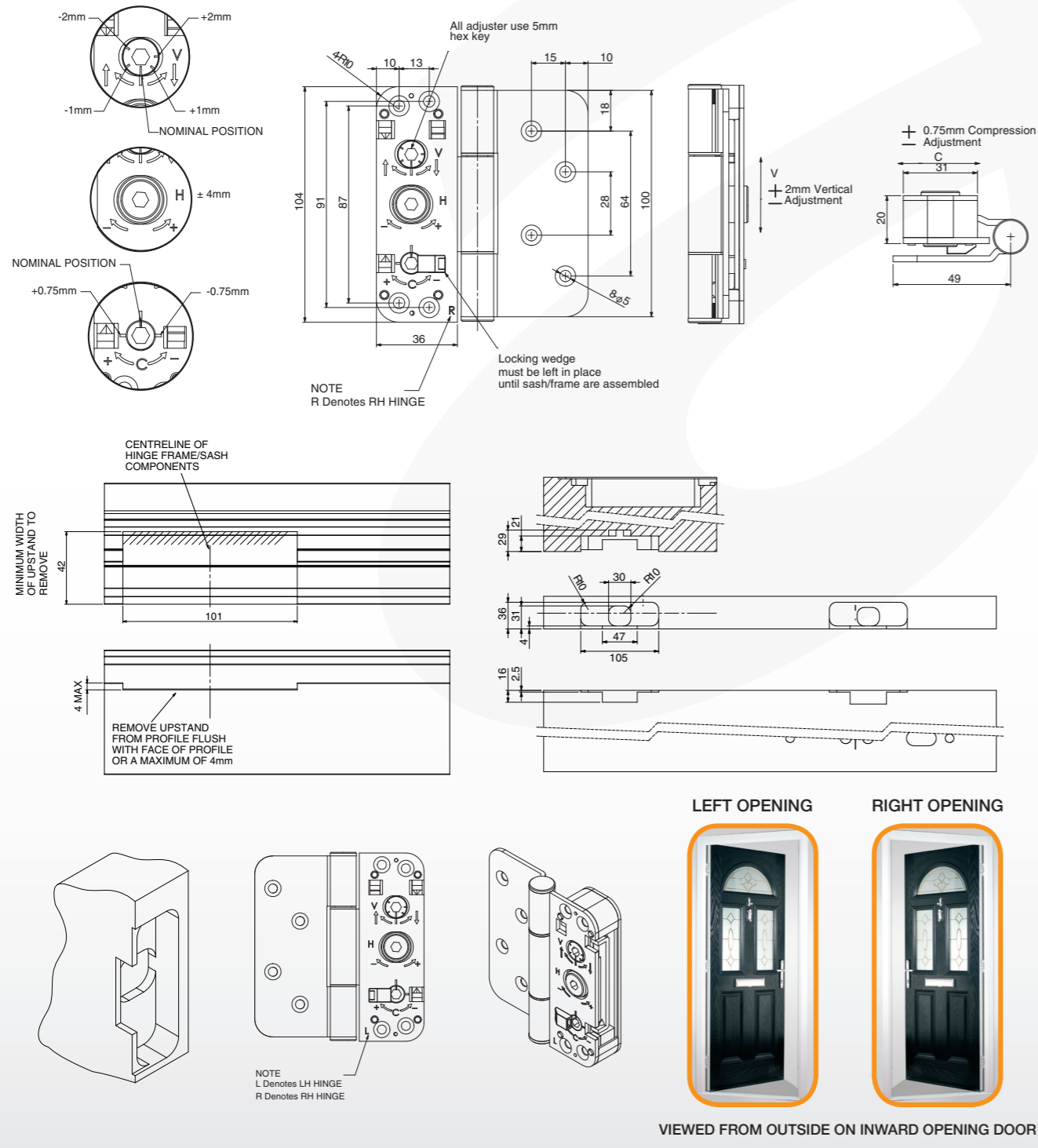


Technical Information

COMPOSITE DOOR HINGE - DIMENSIONS



PRODUCT CODES	
COMPOSITE DOOR HINGE	FINISH
DNCDHWH (LH/RH)	WHITE
DNCDHBR (LH/RH)	BROWN
DNCDHC (LH/RH)	CARAMEL

PRODUCT CODES	
COMPOSITE DOOR HINGE	FINISH
DNCDHCG (LH/RH)	GOLD
DNCDHCH (LH/RH)	CHROME
DNCDHT (LH/RH)	TRIVALENT

FOR LEFT OPENING DOOR  
ADD LH TO END OF THE PRODUCT  
CODE. I.E. DNCDHWHLH

FOR RIGHT OPENING  
DOOR ADD RH. I.E. DNCDHWRH

- Secured by Design accredited
- Meets the security requirements of PAS024
- Discrete traditional Butt hinge look with active 3D adjustment
- Simple allen key control over independent vertical, horizontal and compression adjustment - no need to release any fixings or the door leaf
- ± 0.75mm compression adjustment
- ± 4mm horizontal (lateral) adjustment
- ± 2mm vertical adjustment
- Robust construction - endurance tested to 100,000 cycles on 100kg sash (3 hinges)
- Fast fit - one piece, no parts to loose!
- Available in White, Brown, Caramel, Champagne Gold, Chrome & Trivalent finishes

Technical Information

Assessment Data

**Performance:** Endurance tested to 100,000 operations in accordance to BS EN 12209:2003 (3 Hinges, 100kg sash)

**Corrosion resistance:** All finishes meet requirements of BS EN 1670:2007 - grade 5 (500 hrs Salt Spray)

Material Specification

**Hinge Body/Leaf/Pin:** Carbon Steel/Zinc

**Powder Coating:** White, Brown, Caramel 60 microns minimum coating thickness

**PVD/Chrome Coating:** Champagne Gold, Chrome, Trivalent, multiple layer plating process

Additional Information

**Box Quantity:** 40

Also available as part of the Affinity Composite & Timber Door Hardware Pack

